

MODELS PT-57 and PT-65

SPECIFICATIONS

Models PT-57 and PT-65 are five tube electric push-button tuning superheterodyne radios with a manual tuning range covering 540 to 1580 K. C. In addition a loop aerial is built into the cabinet for portable use. Aerial connections are also provided on the rear of the cabinet for external aerial. If an outside aerial is necessary, the Philco Utility Aerial Part No. 40-6384 is recommended.

Six electric push-buttons are provided on these models. Five of the push-buttons are used for stations and one push-button for selecting dial tuning. The push-buttons cover a frequency range as follows: 540 to 1600 kilocycles.

The models are similar with the exception of the cabinets

and dials. The circuit diagram and part list shown below applies to both models.

INTERMEDIATE FREQUENCY: 455 K. C.

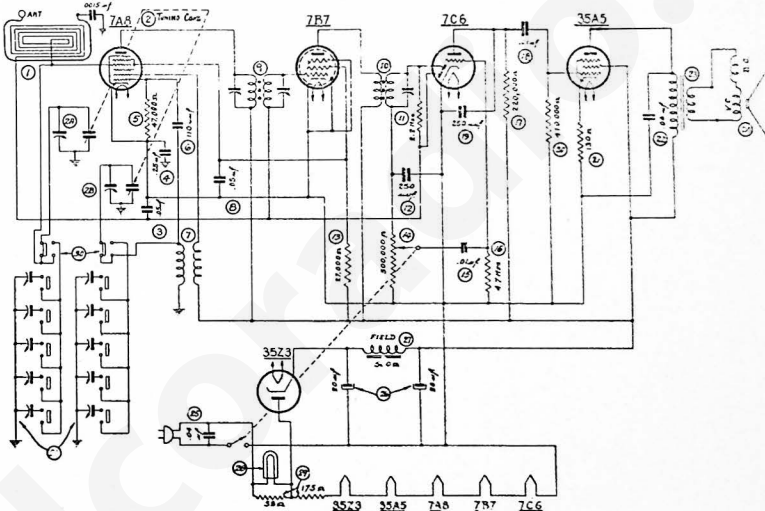
POWER SUPPLY: Operates on either a 115 volt alternating current (A. C.) or 115 volt direct current (D. C.) power supply.

PHILCO TUBES USED: One 7A8, converter; one 7B7, I. F. amplifier; one 7C6, 2nd detector, 1st audio, A. V. C.; one 35A5, audio output and one 35Z3, rectifier.

ALIGNING PROCEDURE: The instructions for adjusting the R. F. and I. F. compensators will be found on page 8.

PRODUCTION CHANGE

To stabilize the oscillator circuit and prevent oscillation at the high frequency end of the tuning dial, the oscillator grid leak was changed from 47000 ohms to 22000 ohms.



REPLACEMENT PARTS

SCHE. No.	DESCRIPTION	PART No.	SCHE. No.	DESCRIPTION	PART No.	SCHE. No.	DESCRIPTION	PART No.
1	Loop Antenna Assembly	33-9850	24	Speaker	36-1469		Dial (PT-65)	27-5554
2	Tuning Condenser	31-2430	25	Tubular Condenser (.04 mf., 400 v.)	30-41198		Dial (PT-57)	27-5490
3	Tubular Condenser (.05 mf., 200 v.)	30-4519S	26	Electrolytic Capacitor			Dial Drive Shaft	31-2358
4	Tubular Condenser (.25 mf., 400 v.)	30-4604S		(20-30 mf., 150 v.)	30-2382		Dial Drive Cord	31-2370
5	Resistor (47,000 ohms, 1/4 watt)	33-347154	27	Field Coil—Part of Speaker No.	36-1469		Dial Window	27-5472
6	Mica Condenser (110 mmf.)	30-1130	28	Pilot Lamp	34-2068		Grille Cloth and Gasket (PT-57)	318-1134
7	Oscillator Transformer	32-3152	29	Line Resistor	33-3367		Grille & Baffle Assembly (PT-65)	40-6451
8	Tubular Condenser (.05 mf., 200 v.)	30-4519S	30	Push Button Switch	42-1485		Knob (Push-Button)	27-4824
9	1st I. F. Transformer	32-3177	31	Padding Condenser Strip	31-6296		Knob (Tuning and Volume)	27-4809
10	2nd I. F. Transformer	32-3178					Handle (Cabinet)	45-6052
11	Resistor (2.2 megs., 1/4 watt)	33-522154					Pointer (PT-57)	56-1326
12	Mica Condenser (250 mmf.)	61-0033					Pointer (PT-65)	27-4891
13	Resistor (27,000 ohms, 1/4 watt)	33-327334					Snap Fastener (Dial)	56-1387
14	Volume Control (500,000 ohms)	33-5506					Spring (Drive Cord)	28-8954
15	Tubular Condenser (.01 mf., 200 v.)	30-4470S					Speaker	36-1469
16	Resistor (4.7 megs., 1/4 watt)	33-547154					Screw (Chassis Mounting)	W-2176
17	Resistor (220,000 ohms, 1/4 watt)	33-422154					Screw (Handle-Cabinet)	W-2043
18	Tubular Condenser (.01 mf., 400 v.)	30-4572S					Screw (Cabinet Back)	56-6056
19	Mica Condenser (250 mmf.)	61-0033					Screw (Cabinet Back)	W-2029
20	Resistor (470,000 ohms, 1/4 watt)	33-447154					Socket (Pilot Lamp)	38-9825
21	Resistor (130 ohms, 1/4 watt)	33-113336					Socket (Tubes)	27-6130
22	Tubular Condenser (.04 mf., 400 v.)	30-41198					Tab Holder (Cabinet)	28-5742
23	Output Transformer						Tab Kit (PT-57)	40-6474
	(for Speaker 36-1469-1)	32-8047					Tab Kit (PT-65)	40-6473
	(for Speaker 36-1469-2)	32-8044					Tab (Dial—PT-57)	27-5528
	(for Speaker 36-1469-9)	32-8044					Tab (Dial—PT-65)	27-5526

MISCELLANEOUS PARTS

Cable (Power)	L-3199
Cabinet (PT-57)	10366A
Cabinet Back (PT-57)	27-4822
Cabinet (PT-65)	10376A
Cabinet Back (PT-65)	27-9358
Clip	28-5002
Cone Assembly	
(for Speaker 36-1469-1)	36-4115
(for Speaker 36-1469-2)	36-4132
(for Speaker 36-1469-9)	36-4113